
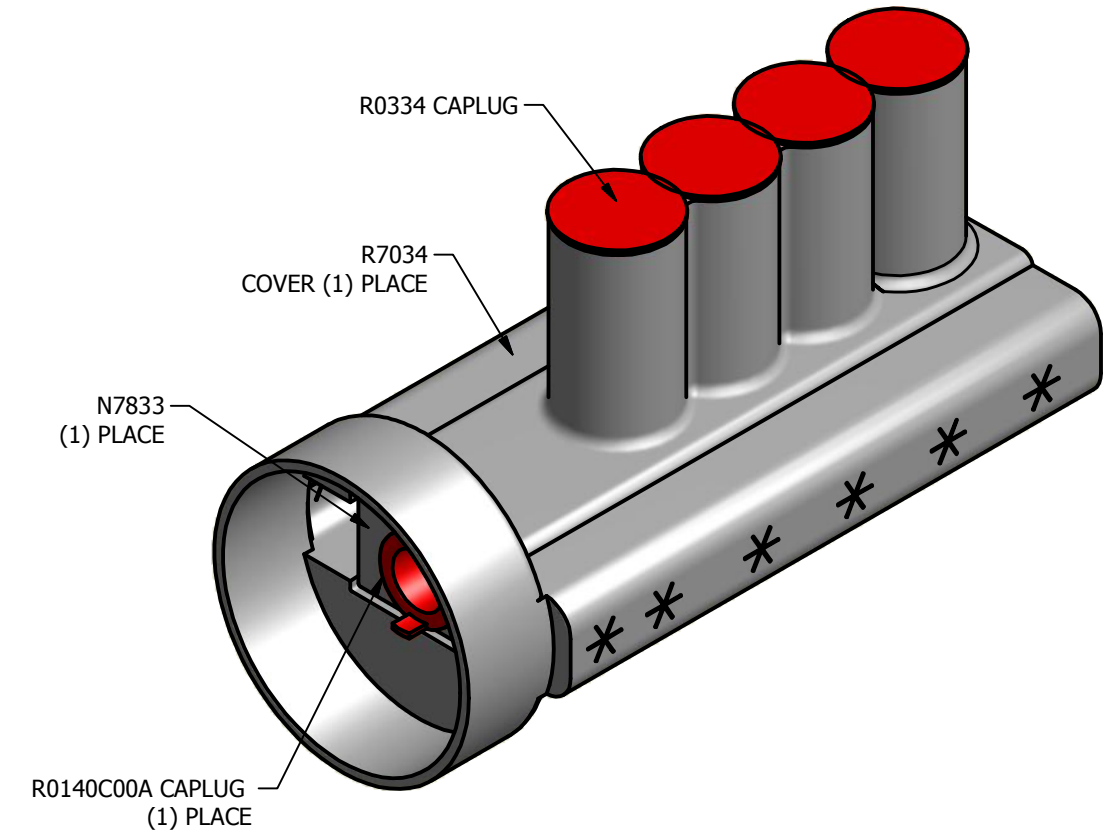
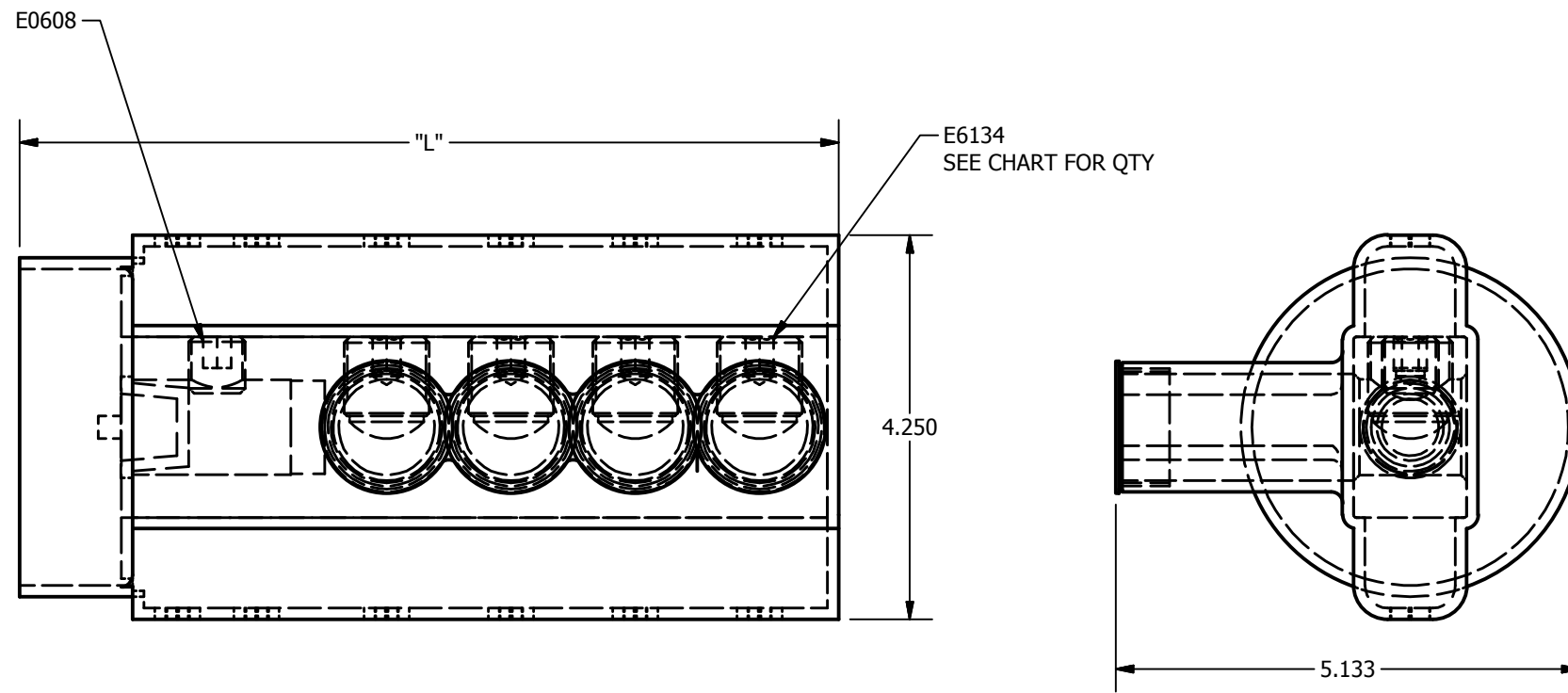


SCREW:	MATERIAL: NONE	REV: A	 800-776-9775 www.ilSCO.com		
CAT. NO.: SEE CHART	PLATING: NONE	DRAWN BY: CLH			SCALE: 1:1
INFORMATION SHEET: FORM 18	MARKING: NONE	DATE: 1/26/2010			SIZE: B
			DWG NO:	M7833	
			SHEET:	1 OF 1	



CATALOG NUMBER	"L"	E6134 SCREWS
PTF4-750CJU	9.125	4
PTF6-750CJU	11.875	6
PTF8-750CJU	14.375	8